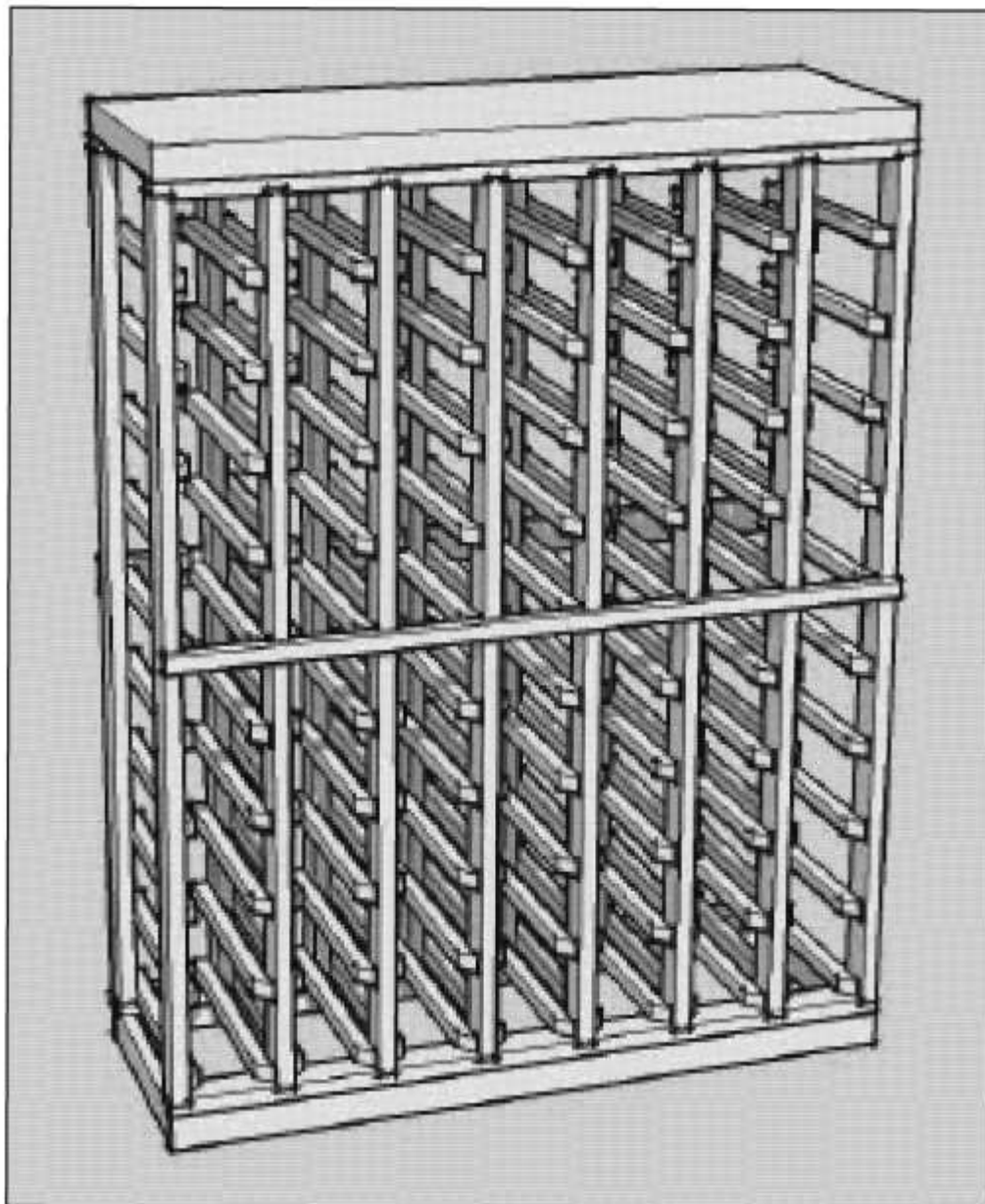
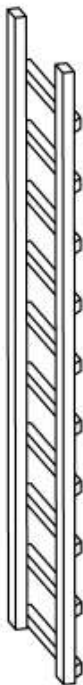


INDIVIDUAL HALF RACK WITH TABLE TOP

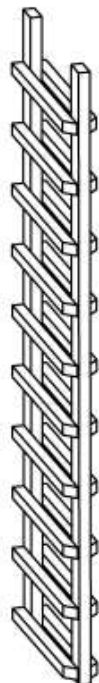


INDIVIDUAL HALF RACK WITH TABLE TOP "CC12-X07-0D-TS"

A



B

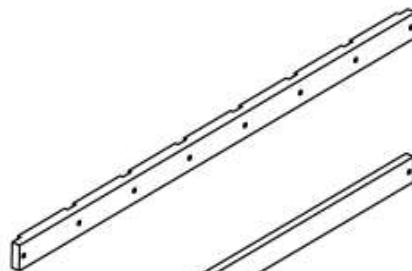


C



ITEM	QTY.	DESCRIPTION
A	1	LEFT LADDER
B	6	CENTER LADDER
C	1	RIGHT LADDER
D	4	RACK STABILIZER
E	1	RACK SUPPORT
F	1	RACK SPACER BAR
G	2	TOE KICK PRE-ASSEMBLED
H	1	TABLE TOP PRE-ASSEMBLED
*	1	BAG OF SCREWS 1 1/4"
*	1	BAG OF NAILS 1 1/16"

D



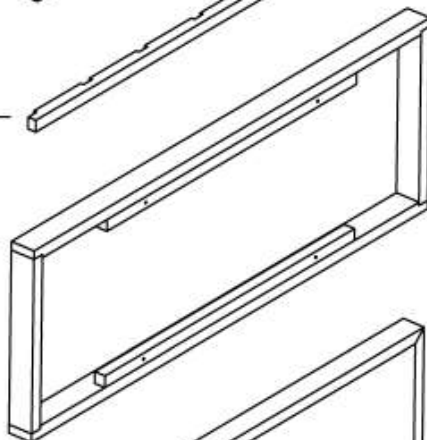
E



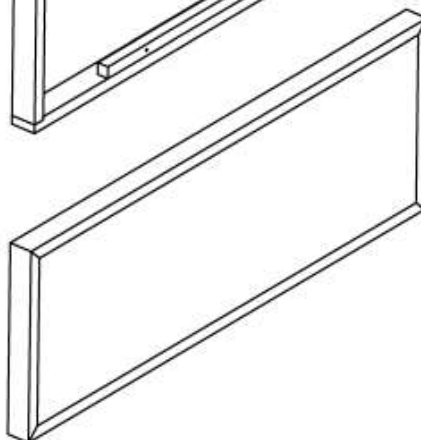
F



G



H

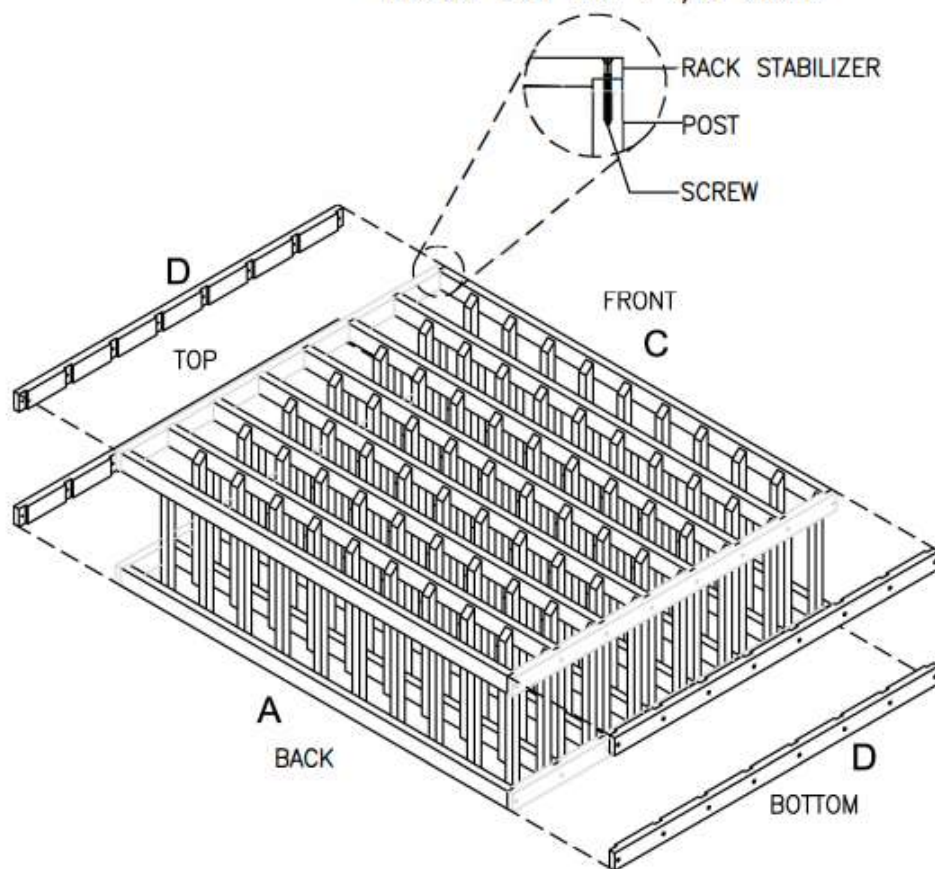


INDIVIDUAL HALF RACK WITH TABLE TOP

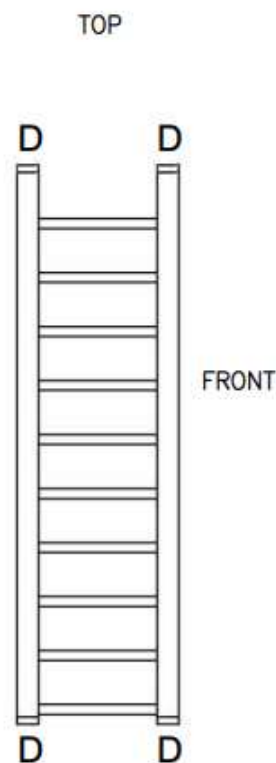
- 1 ATTACH (IN HORIZONTAL POSITION) TWO RACK STABILIZERS ("D" PIECES) WITH BOTTOM SIDE OF LEFT, CENTER AND RIGHT LADDER.
ATTACH (IN SAME POSITION) TWO RACK STABILIZERS ("D" PIECES) WITH TOP SIDE OF LEFT, CENTER AND RIGHT LADDER.

NOTE: SEE SIDE VIEW FOR CLEAR DETAIL.

SCREW THROUGH PREDRILLED HOLE
ON ALL RACK STABILIZER INTO
VERTICAL POST WITH 1 1/4" SCREW



ISOMETRIC VIEW

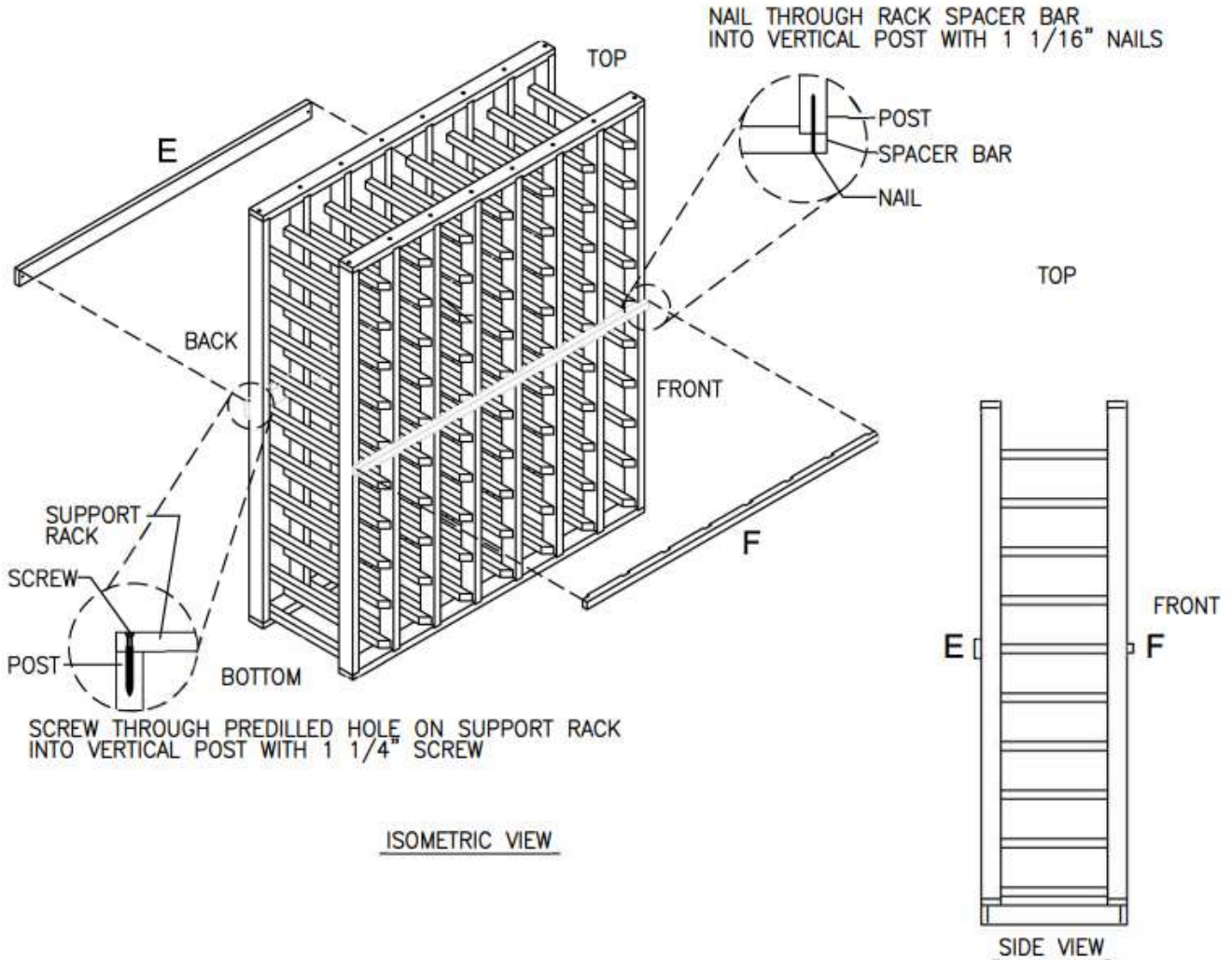


SIDE VIEW

INDIVIDUAL HALF RACK WITH TABLE TOP

- 2 STAND RACK UP AND ATTACH RACK SPACER BAR TO FRONT RACK AND THE SUPPORT RACK TO BACK RACK.

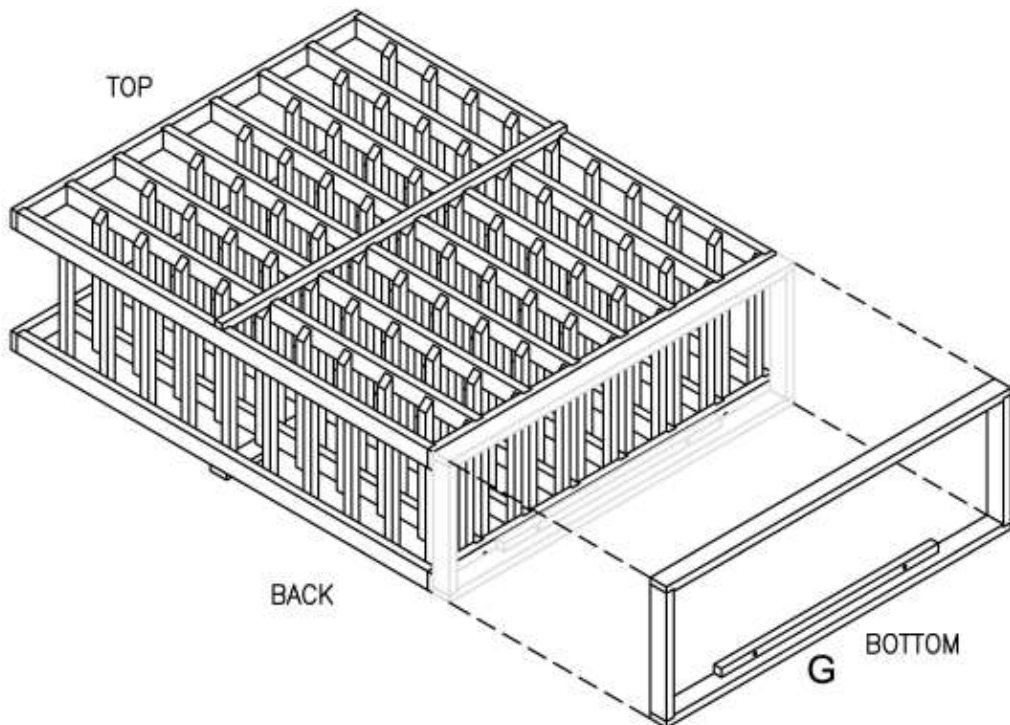
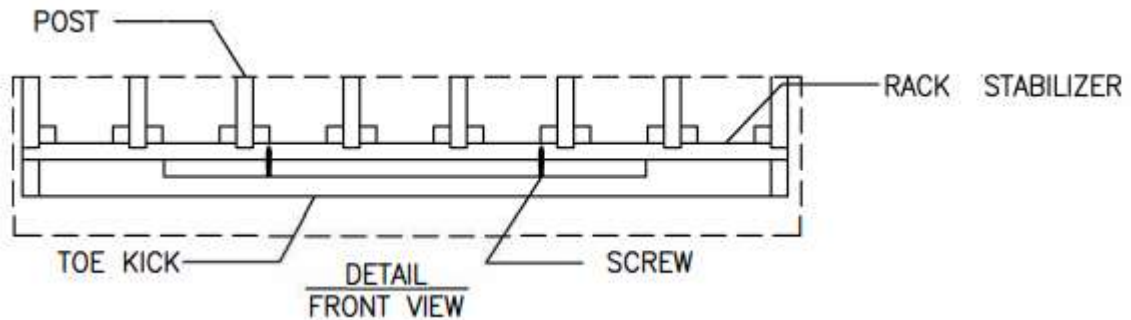
NOTE: SEE SIDE VIEW FOR CLEAR DETAIL.



INDIVIDUAL HALF RACK WITH TABLE TOP

- 3 ATTACH TOE KICK ("G" PIECES) WITH BOTTOM SIDE OF RACK, SCREW TROUGH PREDILLED HOLE ON TOE KICK INTO RACK ESTABILIZER. SEE DETAIL.

NOTE: BEING CAREFUL TO ALIGN ALL EDGES BEFORE SCREW.

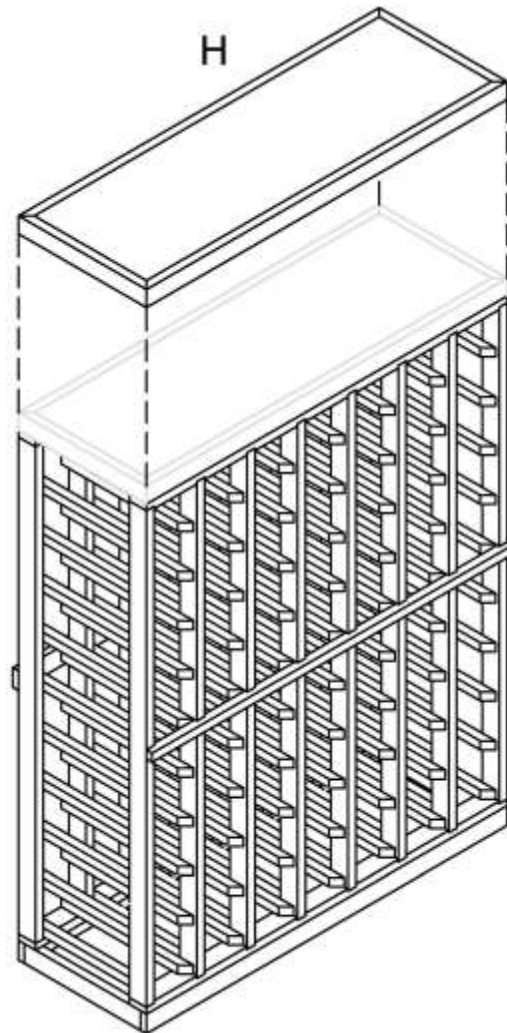


ISOMETRIC VIEW

INDIVIDUAL HALF RACK WITH TABLE TOP

- 4 ATTACH TABLE TOP ("H" PIECE) INTO STABILIZERS.

NOTE: BEING CAREFUL TO ALIGN ALL EDGES BEFORE NAILING.



INDIVIDUAL HALF RACK WITH TABLE TOP

5

INDIVIDUAL HALF RACK WITH TABLE TOP IS NOW COMPLETE.
PLACE IN LOCATION AND LOAD IT WITH WINE.

IF YOU NEED TO MOVE THE RACK, REMOVE ALL BOTTLES, MAKE SURE RACK IS EMPTY.

